

LCN®

4040XP Series

Stronger, smarter and built for the real world



Overview

The 4040XP is LCN's most durable and flexible heavy duty surface mounted closer, designed for institutional and other demanding high traffic applications. The 4040XP sets a new standard for reliability, longevity and value with a beefier design and extraordinary performance testing that goes far beyond industry requirements. We built the 4040XP from the inside out, combining tougher, bolder construction with proven LCN technology. The result is a closer that's stronger, smarter and delivers remarkable value in a variety of applications.

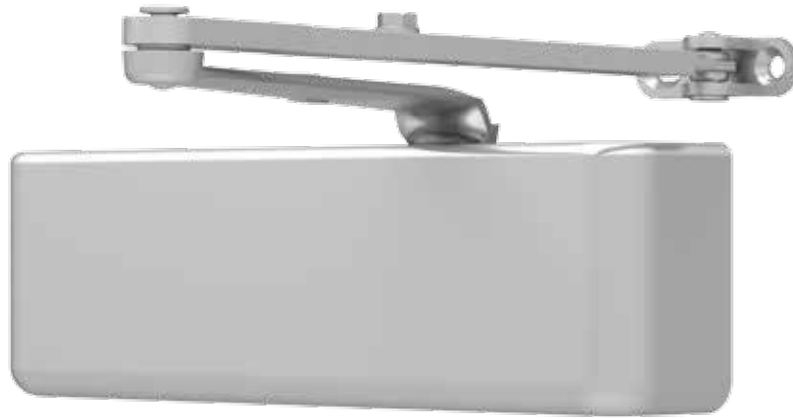
The patented green dial on the 4040XP makes spring adjustments fast, easy and foolproof. The all-weather fluid reduces maintenance and ensures consistent performance through every season. High-traffic doors call for heavy-duty closers – closers that won't let you down no matter how many people go through the door or how hard they kick, push or slam against it. And when it comes to heavy-duty closers, no other closer performs like the LCN 4040XP.

Features and benefits

- Cast iron
- Forged steel arm
- Double heat treated steel pinion
- All weather fluid
- Non-handed
- LCN® “Green Dial” spring force indicator
- Peel-n-Stick templates
- UL and cUL Listed
- ¾" Journal diameter pinion
- Full compliment bearing
- Tested and certified under ANSI standard A156.4, Grade 1

About Allegion

Allegion (NYSE: ALLE) is a global pioneer in safety and security, with leading brands like CISA®, Interflex®, LCN®, Schlage® and Von Duprin®. Focusing on security around the door and adjacent areas, Allegion produces a range of solutions for homes, businesses, schools and other institutions. Allegion is a \$2 billion company, with products sold in almost 130 countries. For more, visit www.allegion.com.

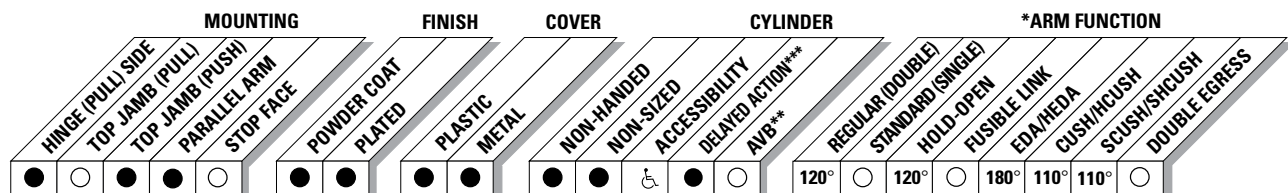


The 4040XP is LCN's most durable and flexible heavy duty closer designed for institutional and other demanding high traffic applications.

Certifications	Grade 1 - ANSI A156.4, UL 10C, ADA, 100 Hour Salt Spray, Meets BAA - Buy American Act	Cover	<ul style="list-style-type: none"> ■ Plastic, Standard ■ Metal, Optional
Body Construction	<ul style="list-style-type: none"> ■ Cast Iron Body ■ Full Complement Bearings ■ 1-1/2" Diameter Piston ■ 3/4" Diameter Double Heat Treated Pinion Journal 	Fasteners	Self Reaming and Tapping Screws (SRT)
Fluid	All Weather Liquid X Fluid	Mounting	Hinge (Pull Side), Top Jamb (Push Side), Parallel Arm (Push Side)
Handing	Non-Handed	Arms	Regular Arm
Templating	Peel-n-Stick templates - 2-1/4" x 5" Mounting Hole Pattern	Finishes/Colors/ Powder Coat	<ul style="list-style-type: none"> ■ Aluminum (689) ■ Statuary Bronze (690) ■ Light Bronze (691) ■ Black (693) ■ Dark Bronze (695) ■ Brass (696) ■ Custom colors optional
Size	Adjustable Spring Size 1-6, includes Patented Green Dial		<ul style="list-style-type: none"> ■ Optional SRI primer - powder coat only ■ Optional plated finishes
Warranty	30 years		

Special Templates

Customized installation templates or products may be available to solve unusual applications. Contact LCN Product Support for assistance.



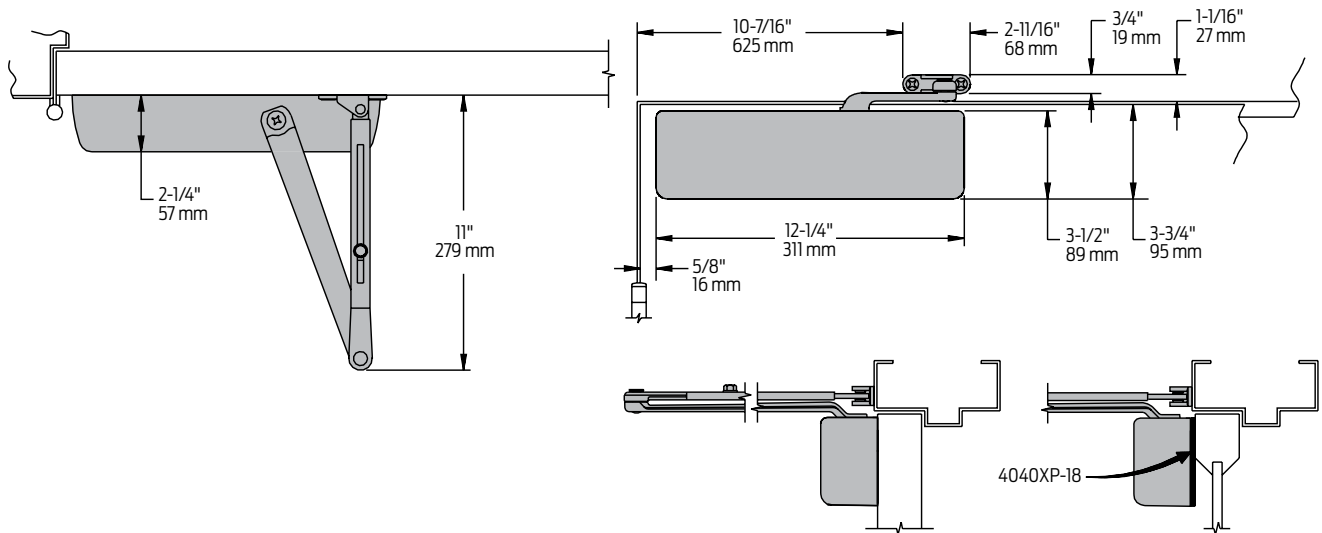
● AVAILABLE
○ NOT AVAILABLE

♿ Closer available with less than 5.0 lbs. opening force on 36" door.
 * Maximum opening/hold-open point with standard template.
 ** Advanced Variable Backcheck.
 *** Delay feature incorporates standard 4040 cylinder (not XP).

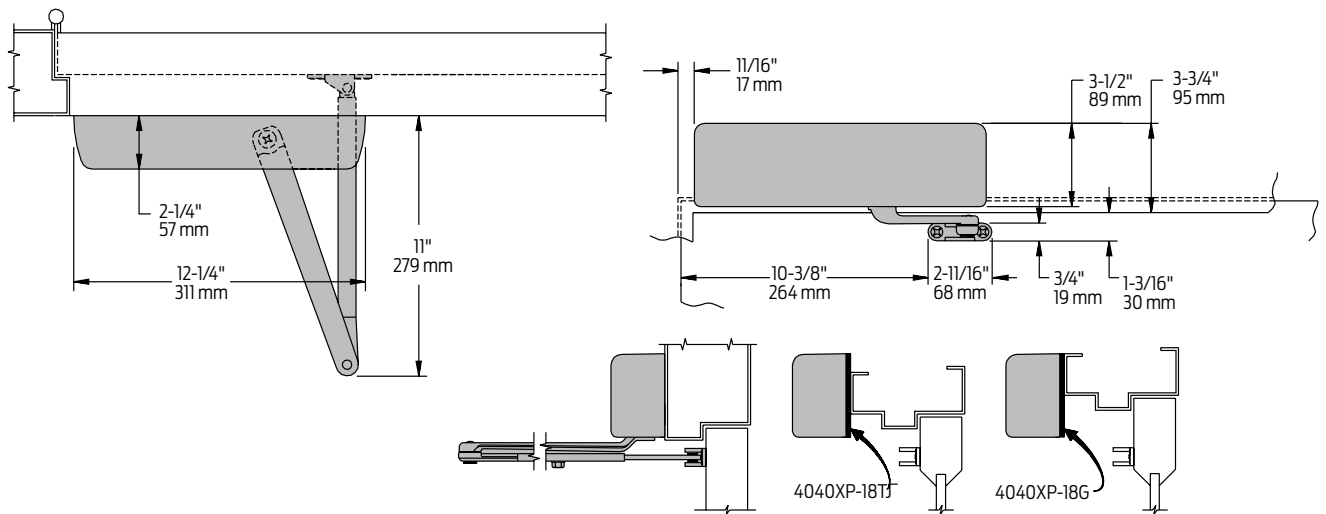
4040XP Series

Mounting details

Hinge (Pull Side) Mounting



Butt Hinges	<ul style="list-style-type: none"> Should not exceed 5" (127 mm) in width
Auxiliary Stop	<ul style="list-style-type: none"> Recommended at hold-open point or where a door cannot swing beyond 120°
Reveal	<ul style="list-style-type: none"> Should not exceed 3/4" (19 mm) for regular arm or hold-open arm
Top Rail	<ul style="list-style-type: none"> Less than 3-3/4" (95 mm) requires PLATE, 4040XP-18. Plate requires 2" (51 mm) minimum
Clearance	<ul style="list-style-type: none"> 2-3/8" (60 mm) behind door required for 90° installation
Delayed Action	<ul style="list-style-type: none"> Incorporates standard 4041 cylinder, without XP cylinder Delays closing from 120° to 70° Delay time adjustable up to approximately 1 minute
Maximum Opening	<ul style="list-style-type: none"> Templating allows up to 120°. Hold-open points 90° up to 120° with hold-open arm.

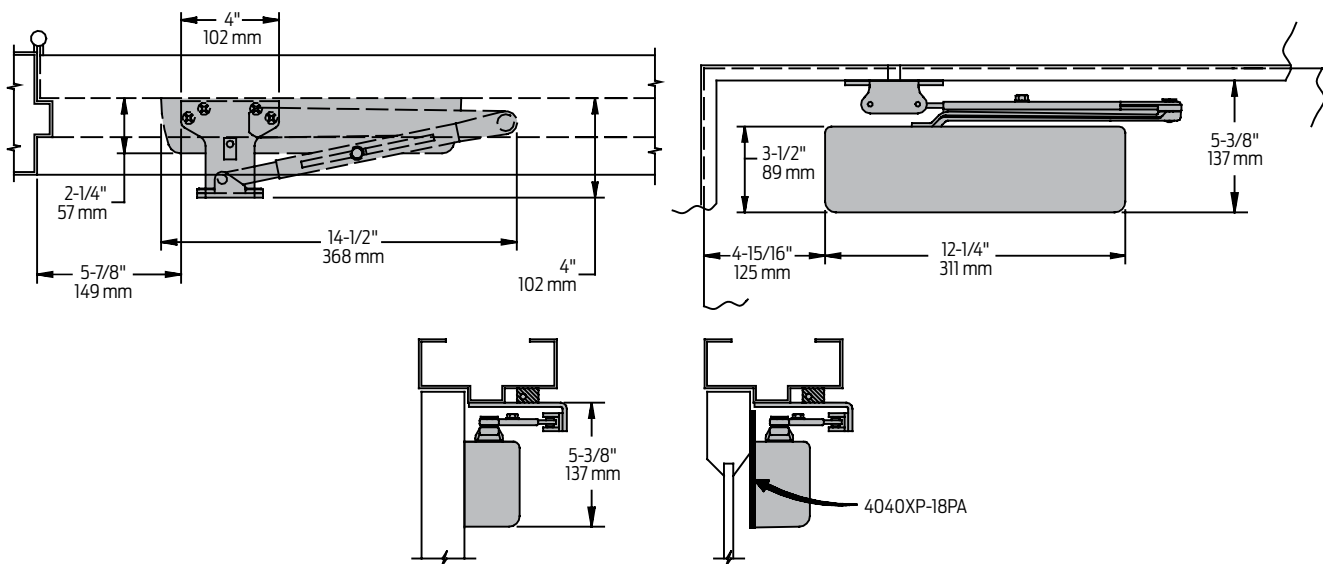


Butt Hinges	Should not exceed 5" (127 mm) in width		
Auxiliary Stop	Recommended at hold-open point or where a door cannot swing beyond 120°		
Reveal	Arm Type	Reveal	Max Opening
	Regular Arm	2-9/16"	Up to 120°
	Long	4-13/16"	Up to 120°
	Hold-Open	2-9/16"	Up to 120°
	Long Hold-Open Arm	8"	Up to 120°
Top Rail	<ul style="list-style-type: none"> Requires 1-1/4" (32 mm) minimum 2-1/4" (57 mm) minimum with closer on PLATE, 4040XP-18TJ 3" (76 mm) minimum with closer on PLATE, 4040XP-18G 		
Head Frame	<ul style="list-style-type: none"> Less than 3-1/2" (89 mm) requires PLATE, 4040XP-18TJ With flush ceiling, use PLATE, 4040XP-18G. Either plate requires 1-3/4" (44 mm) minimum 		
Maximum Opening	<ul style="list-style-type: none"> Templating allows up to 120°. Hold-open points 85° up to 120° with hold-open arm. 		
Delayed Action	<ul style="list-style-type: none"> Incorporates standard 4041 cylinder, without XP cylinder Delays closing from 120° to 70° Delay time adjustable up to approximately 1 minute 		

4040XP Series

Mounting details

Parallel Arm (Push Side) Mounting

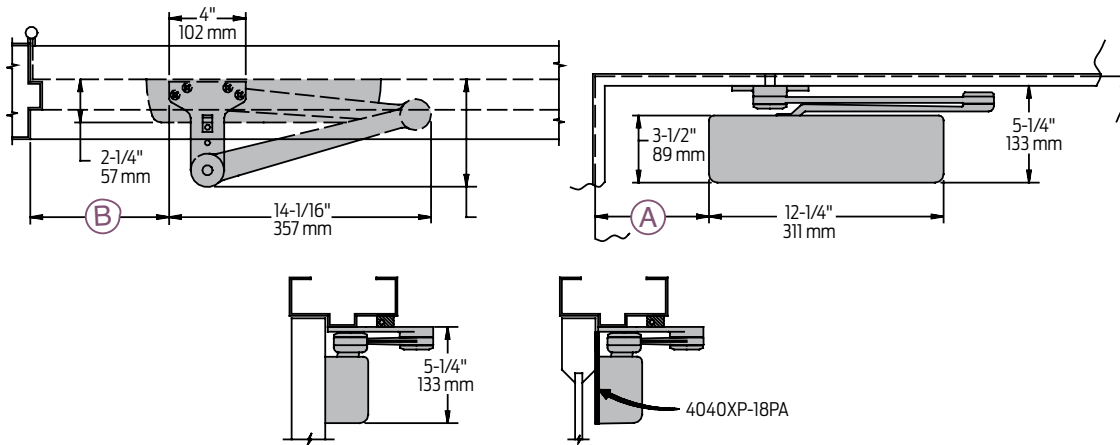


Butt Hinges	Should not exceed 5" (127 mm) in width
Auxiliary Stop	Recommended at hold-open point, where the door cannot swing 180°, or where CUSH-N-STOP arm is not used
Reveal	Should not exceed 7/32" (6 mm)
Top Rail	Less than 5-3/8" (137 mm) measured from the stop requires PLATE, 4040XP-18PA. Plate requires 2" (51 mm) minimum from the stop
Head Frame	Flush or rabbeted requires PA SHOE ADAPTER, 4040XP-419
Stop Width	Minimum 1" (25 mm). CUSH arm requires minimum 1-1/2" (38 mm)
Blade Stop	Clearance requires 1/2" (13mm) BLADE STOP SPACER, 4040XP-61.
Clearance	<ul style="list-style-type: none"> 4040XP-62PA shoe is 4" (102 mm) from door face. EDA shoe projects 5-1/2" (140 mm) from door face. CUSH shoe projects 6" (152 mm) from door face
Delayed Action	<ul style="list-style-type: none"> Incorporates standard 4041 cylinder, without XP cylinder Delays closing from 120° to 70°. Delay time adjustable up to approximately 1 minute.
Maximum Opening	<ul style="list-style-type: none"> 180° opening/hold-open points with all except CUSH arms 110° opening/hold-open with CUSH arms

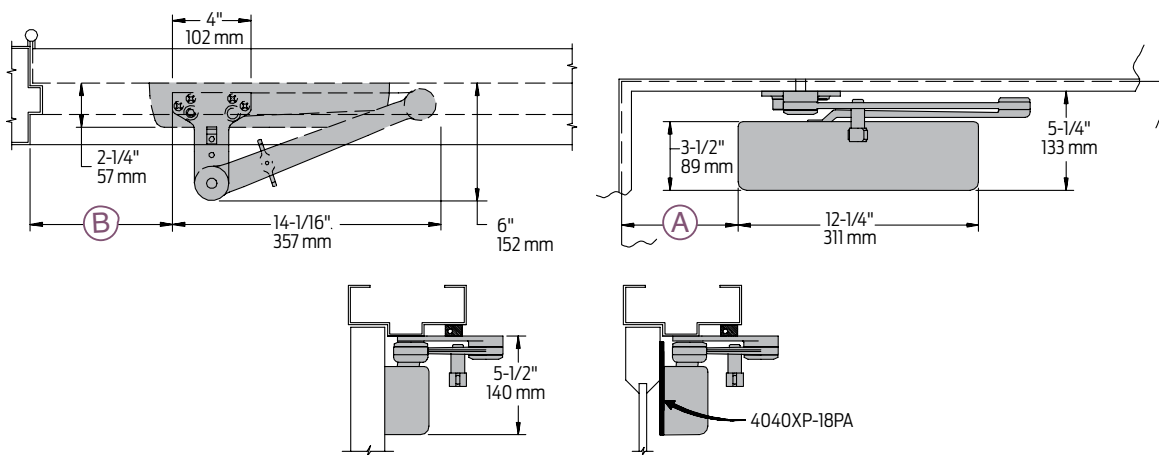
Notes:

- Optional mounting requires PA SHOE, 4040XP-62PA for regular or HOLD-OPEN arms
- Add prefix "P" to closer description (eg. P4040XP)
- P4040XP closer includes 4040XP-201 FIFTH HOLE SPACER to support PA SHOE

EDA mount



CUSH mount

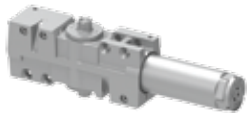


Clearance	4040XP-62EDA is 5-1/2" (140 mm) from door face. 6" (152 mm) for CUSH	
Head Frame	Flush or rabbeted requires CUSH FLUSH PANEL ADAPTER, 4040XP-419	
CUSH ARM	Requires SHOE SUPPORT, 4040XP-30 for fifth screw anchorage where reveal is less than 3-1/16" (78 mm)	
Delayed Action	<ul style="list-style-type: none"> ■ Incorporates standard 4041 cylinder, without XP cylinder. ■ Delays closing from maximum opening to ; 115° with 180° template, 95° with 110° template, 85° with 100° template, 75° with 90° template. Delay time adjustable up to approximately 1 minute. 	
Maximum Opening	EDA arm can be templated for points at:	CUSH arms can be templated for opening/hold-open point at:
	110°: A = 6-3/8" (162 mm) B = 7-3/4" (197 mm)	85°: A = 7-15/16" (202 mm) B = 9-1/8" (232 mm)
	or 180°: A = 2-7/8" (73 mm) B = 4-1/4" (108 mm)	90°: A = 7-3/16" (183 mm) B = 8-1/2" (216 mm)
	Hold-open points up to maximum opening with HEDA arm	100°: A = 6-1/16" (154 mm) B = 7-1/4" (184 mm)
		or 110°: A = 5-1/16" (129 mm) B = 6-3/8" (162 mm)

Notes:

- 4040XP Series closers ordered with EDA or CUSH arms include 4040XP-201 FIFTH HOLE SPACER to support the shoe
- Spring Cush stop points are approximately 5° more than templated stop point
- Hold open at templated stop points

Cylinders



4040XP-3071
Cast Iron Cylinder Assembly

- Non-handed
- Heavy duty



4041-3071 DEL
Cast Iron Cylinder Assembly

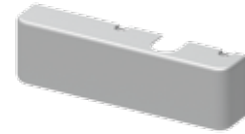
- Used for delayed action closing
- Non-handed
- Heavy duty

Covers



4040XP-72
Plastic Cover

- Includes 4040XP-54 snap-on cover clip
- Non-handed
- Standard



4040XP-72MC
Metal Cover

- Handed
- Required for plated finishes and custom powder coat finishes
- Optional

Installation Accessories



4040XP-18
Plate

- Required for hinge side mount where top rail is less than 3-3/4" (95 mm)
- Requires minimum 2" (51 mm) minimum top rail



4040XP-18G
Plate

- Locates top jamb mounted closer flush with top of head frame face in flush ceiling condition
- Requires 1-3/4" (44 mm) minimum head frame



4040XP-18TJ
Plate

- Centers top jamb mounted closer vertically on head frame where face is less than 3-1/2" (89 mm). Plate requires 1-3/4" (44 mm) minimum head frame



4040XP-18PA
Plate

- Required for parallel arm mounting where top rail is less than 5-1/2" (140 mm), measured from the stop
- Requires 2" (51 mm) minimum top rail



4040XP-62PA
PA Shoe

- Required for parallel arm mounting

Arms

4040XP Series

Accessories



4040XP-3077
Regular Arm

- Non-handed
- Mounts pull side or top jamb with shallow reveal P4041 closer includes PA SHOE, 4040XP-62PA required for parallel arm mounting



4040XP-3077L
Long Arm

- Non-handed
- Includes LONG ROD AND SHOE, 4040XP-79LR for top jamb mount
- Optional



4040XP-3077ELR
Extra Long Arm

- Non-handed
- Includes EXTRA LONG ROD AND SHOE, 4040XP-79ELR for top jamb mount with deep reveal
- Optional



4040XP-3049
Hold-Open Arm

- Non-handed
- Mounts pull side or top jamb with shallow reveal, hold-open adjustable shoe
- 4040XP closer includes 4040XP-62PA shoe required for parallel arm mounting
- Optional



4040XP-3049L
Long Hold-Open Arm

- Non-handed
- Includes LONG HEAD AND TUBE, 4040XP-3048L for top jamb mount
- Optional



4040XP-3077EDA
Extra Duty Arm

- Non-handed
- Features forged, solid steel main and forearm for potentially abusive installations
- Optional



4040XP-3049EDA
Hold-Open Extra Duty Arm

- Handed
- Parallel arm features forged, solid steel main and forearm for potentially abusive installations
- Hold-open function is adjusted at the shoe
- Optional



4040XP-3077EDA/62G
Extra Duty Arm with 62G

- Non-handed
- Features forged, solid steel main and forearm for potentially abusive installations
- 62G shoe provides additional blade stop clearance
- Optional



4040XP-3049EDA/62G
Hold-Open Extra Duty Arm with 62G

- Handed
- Features forged, solid steel main and forearm for potentially abusive installations
- 62G shoe provides additional blade stop clearance. Hold-open function is adjusted at the shoe
- Optional



4040XP-3077CNS
Cush-N-Stop[®] Arm

- Non-handed
- Features solid forged steel main arm and forearm with stop in soffit shoe.
- Optional



4040XP-3049CNS
HCUSH Arm

- Non-handed
- Hold-open function with templated stop/hold-open points
- Handle controls hold-open function
- Optional



4040XP-3077SCNS
Spring CUSH Arm

- Non-handed
- For abusive applications features solid forged steel main arm and forearm with spring loaded stop in the soffit shoe
- Optional



4040XP-3049SCNS
Spring HCUSH Arm

- Non-handed
- For abusive applications features solid forged steel main arm and forearm with spring loaded stop in the soffit shoe
- Handle controls hold-open function
- Optional

Installation Accessories cont.



4040XP-30
CUSH Shoe Support

- Provides anchorage for fifth screw used with CUSH arms, where reveal is less than 3-1/16" (78 mm)
- Optional



4040XP-61
Blade Stop Spacer

- Required to lower parallel arm shoe to clear 1/2" (13 mm) blade stop
- Optional



4040XP-419
PA Flush Panel Adapter

- Provides horizontal mounting surface for parallel arm shoe on single rabbeted or flush frame
- Optional



4040XP-62A
Auxiliary Shoe

- Requires a top rail of 7" (178 mm)
- Shoe replaces -62PA for parallel arm mounting of regular arm with overhead holder/stop
- Optional



4040XP-54
Snap-On Cover Clip

- Used to secure 4040XP-72 Plastic Cover to cylinder body

How-to-order 4040XP Series closers

1. Select finish

- Standard Powder Coat _____
Aluminum, Dark Bronze, Statuary,
Light Bronze, Black, Brass.

Closer will be shipped with:

- Standard cylinder
- Standard cover
- Regular arm
- Self-reaming and tapping screws
unless options listed below are selected.

Closer options

Cylinder

- Delayed Action (4041 DEL)

Cover

- Metal (specify right or left hand) (MC)

Finish

- Custom Powder Coat (RAL) _____
(handed metal cover required)
- Plated Finish, US _____
(handed metal cover required)
- SRI primer (use with powder coat finishes only)

Arm

- Regular (REG)
- Regular w/62PA (Rw/PA)
- Regular w/62A (R/62A)
- Long (LONG)
- Extra Long (XLONG)
- Hold-Open (H)
- Hold-Open w/62PA (Hw/PA)
- Long Hold-Open (HLONG)
- Extra Duty Arm (EDA)
- Extra Duty Arm with 62G (EDA/62G)
- Hold Open Extra Duty Arm (HEDA)
(Handed)
- Hold Open Extra Duty Arm with 62
(HEDA/62G)(Handed)
- Cush-N-Stop (CUSH)
- HCush-N-Stop (HCUSH)
- Spring Cush (SCUSH)
- Spring HCush (SHCUSH)

Optional Screw Packs

- TB* w/Self-Reaming and Tapping (TBSRT)
- Wood & Machine Screw (WMS)
- TB*, Wood & Machine Screw (TBWMS)
- TORX Machine Screw (TORX)
- TB* & TORX Machine Screw (TBTRX)
* Specify door thickness if other than
1-3/4".

Installation Accessories

- Plate, 4040XP-18
- Plate, 4040XP-18TJ
- Plate, 4040XP-18G
- Plate, 4040XP-18PA
- CUSH Shoe Support, 4040XP-30
- Blade Stop Spacer, 4040XP-61
- Auxiliary Shoe, 4040XP-62A
- PA Flush Panel Adapter, 4040XP-419

Special Template

- ST- _____

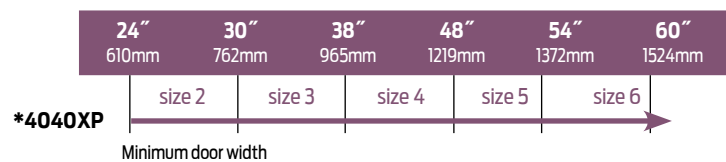
Table of sizes

- 4040XP cylinders are adjustable from size 1 through size 6 and is shipped set to size 3
- Closing power of 4040XP Series closers may be adjusted 50%

Exterior (and vestibule) door width



Interior door width




→ Indicates recommended range of door width for closer size. *Adjustable Size 1 thru 6.

Reduced opening force 4040XP Series closers

CAUTION! Any manual door closer, including those certified by BHMA to conform to ANSI Standard A156.4, that is selected, installed and adjusted based on ADA or other reduced opening force requirements may not provide sufficient power to reliably close and latch a door.

Refer to POWER OPERATORS section for information on systems that meet reduced opening force requirements without effecting closing power.

	DOOR WIDTH	36"	42"	48"
	8.5* lbs.	4040XP	4040XP	4040XP
5.0* lbs.	4040XP	4040XP	4040XP	

* Maximum opening force.

