



Surface mounted closer

# 1450 Series

Overview

The 1450 Series cast aluminum closer was specially designed to deliver consistent, dependable, long-term performance in frequently-used, low-abusive traffic areas. The patented design, featuring the industry's most common hole pattern, is an excellent choice for a range of applications - from aftermarket replacement to aluminum store fronts, to new construction projects - anywhere quality, reliability and value are important.



Cylinder

1450-3071

Cast aluminum cylinder assembly

Handing

Non-handed

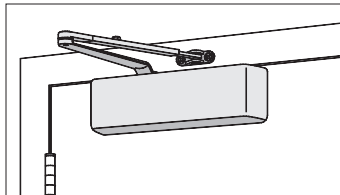
Sizing

Adjustable spring size 1-6

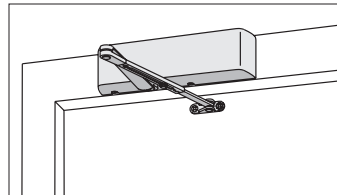
Available cylinder options

DEL	Delayed action cylinder
-----	-------------------------

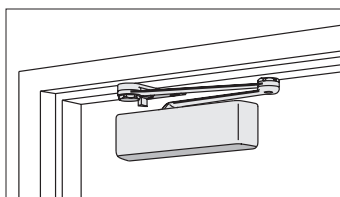
Mounting



Hinge (pull side)



Top jamb (push side)



Parallel arm (push side)



### Finishes

#### Powder coat finishes



**689**  
Aluminum



**690**  
Statuary Bronze



**691**  
Light Bronze



**693**  
Black



**695**  
Dark Bronze



**696**  
Brass

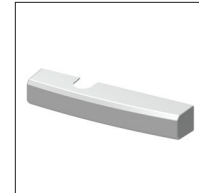
150+ additional custom colors available using the RAL numbering system

#### Available finish options

MTLPC	Brite metallic: Custom powder coat finish, which resembles that of US26 or US26D plated finish.
SRI	For installations where a higher level of protection against weather conditions, or the effects of a potentially corrosive atmosphere is required, LCN offers a special rust inhibiting (SRI) process. Ferrous metal components receive an SRI pretreatment and a standard powder coat finish of your choice, or a custom powder coat finish for a nominal additional cost. Closers treated with the SRI process exceed the 100 hour protection level available with standard LCN powder coated finishes.

### Covers

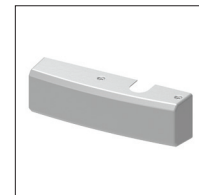
#### Standard cover



**1450-72**  
**Slim line plastic cover**  

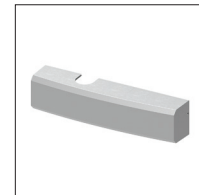
- Non-handed

#### Optional covers



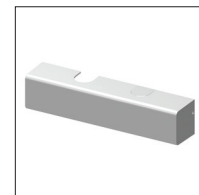
**1450-72MC**  
**Metal cover**  

- Handed
- Optional



**1450-72FC**  
**Full plastic cover**  

- Non-handed
- Optional



**1450-72ALT**  
**Alternate cover**  

- Non-handed
- Optional, sold separately (not packed with closer)

### Arms



- 1450-3077**  
**Regular arm w/PA**
- Non-handed
  - Mounts hinge side or top jamb
  - Includes PA SHOE, 1450-62PA required for parallel arm mounting



- 1450-3077L**  
**Long arm**
- Non-handed
  - Includes LONG ROD AND SHOE, 1450-79LR for top jamb mount with deep reveals
  - Optional



- 1450-3049**  
**Hold-open arm w/PA**
- Non-handed
  - Mounts hinge side, top jamb or parallel arm (62PA required)
  - Hold-open adjustable at shoe
  - Optional



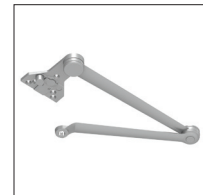
- 1450-3049L**  
**Long hold-open arm**
- Non-handed
  - Includes LONG HEAD AND TUBE, 1450-3048L for top jamb mount with deep reveals
  - Optional



- 1450-3077EDA/62G**  
**Extra duty arm with 62G**
- Non-handed
  - Features solid forged steel main and forearm for potentially abusive installations
  - Optional 1450-3077EDA/G for blade stop clearance



- 1450-3049EDA**  
**Hold-open extra duty arm**
- Handed
  - Provides hold-open function adjustable at shoe
  - Optional



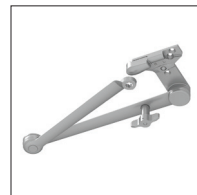
- 1450-3077CNS**  
**Cush-n-Stop® Arm**
- Non-handed
  - Features solid forged steel main arm and forearm with stop in soffit shoe
  - Optional



- 1450-3049CNS**  
**HCUSH Arm**
- Non-handed
  - Provides hold-open function with templated stop/hold-open points
  - Handle controls hold-open function
  - Optional



- 1450-3077SCNS**  
**Spring CUSH arm**
- Non-handed
  - For abusive applications features solid forged steel main arm and forearm with spring loaded stop in the soffit shoe
  - Optional



- 1450-3049SCNS**  
**Spring HCUSH arm**
- Non-handed
  - For abusive applications features solid forged steel main arm and forearm with spring loaded stop in the soffit shoe
  - Handle controls hold-open function
  - Optional

### Installation accessories



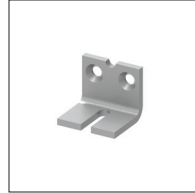
**1450-18 / 1450-18FC  
Plate**

- Required for hinge side mount where top rail is less than 2-1/2" (64 mm)
- Required for top jamb mounting where head frame is less than 1-3/4" (44 mm) or flush ceiling condition exists
- Requires minimum 1-1/2" (38 mm) minimum top rail or 1-1/4" (32 mm) head frame
- With full cover, use plate 1450-18FC



**1450-18PA / 1450-18PAFC  
Plate**

- Required for parallel arm mounting where top rail is less than 4-3/8" (111mm), measured from the stop
- Requires 1-3/4" (44 mm) minimum top rail
- With full cover, use plate 1450-18FC



**1450-30  
CUSH shoe support**

- Provide anchorage for fifth screw used with CUSH arms where reveal is less than 3-1/16" (78mm)



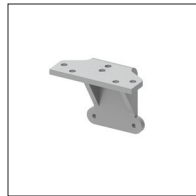
**1450-61  
Blade stop spacer**

- Lowers parallel arm shoe to clear 1/2" (13 mm) blade stop.



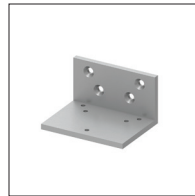
**1450-62PA  
PA shoe**

- Required for parallel arm mounting



**1450-62A  
Auxiliary shoe**

- Requires a top rail of 7" (178mm). Optional shoe replaces -62PA for parallel arm mounting of regular arm with overhead holder/stop



**1450-419  
PA flush panel adapter**

- Provides horizontal mounting surface for PA, EDA or CUSH shoe on single rabbeted or flush frame

### Fasteners

Universal screw pack (UNIV) included standard

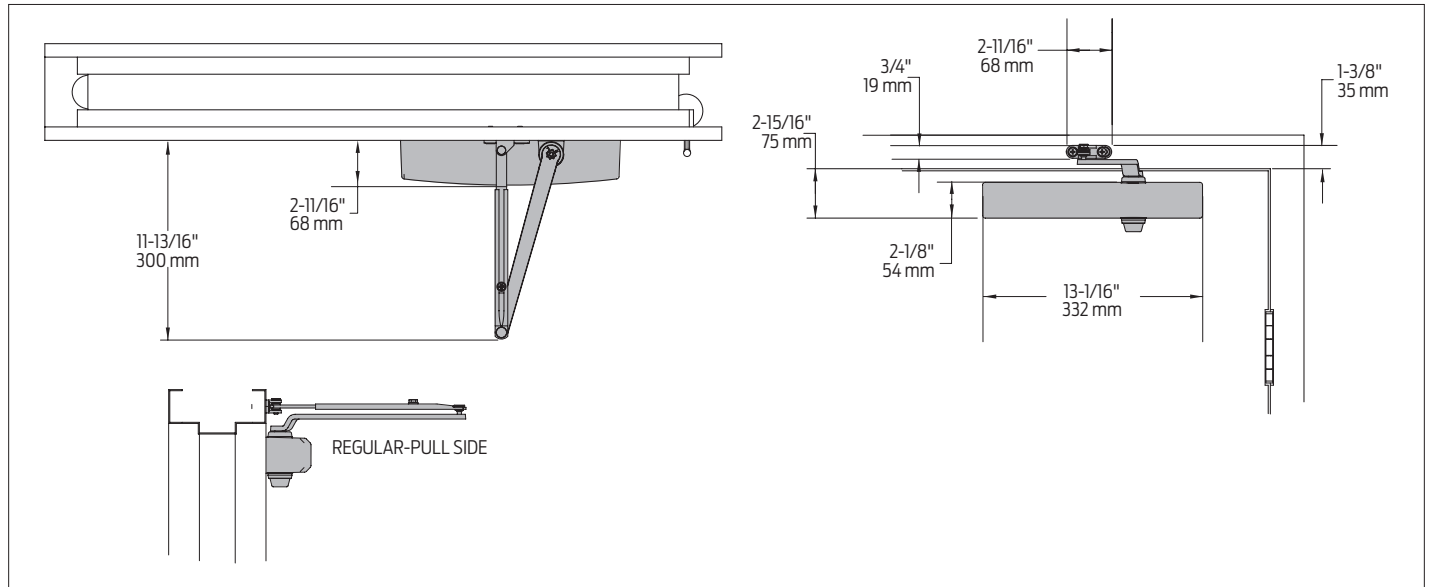
#### Fastener pack options

TORX	TORX Machine Screw
TBTORX	TB <sup>1</sup> and TORX Machine Screw

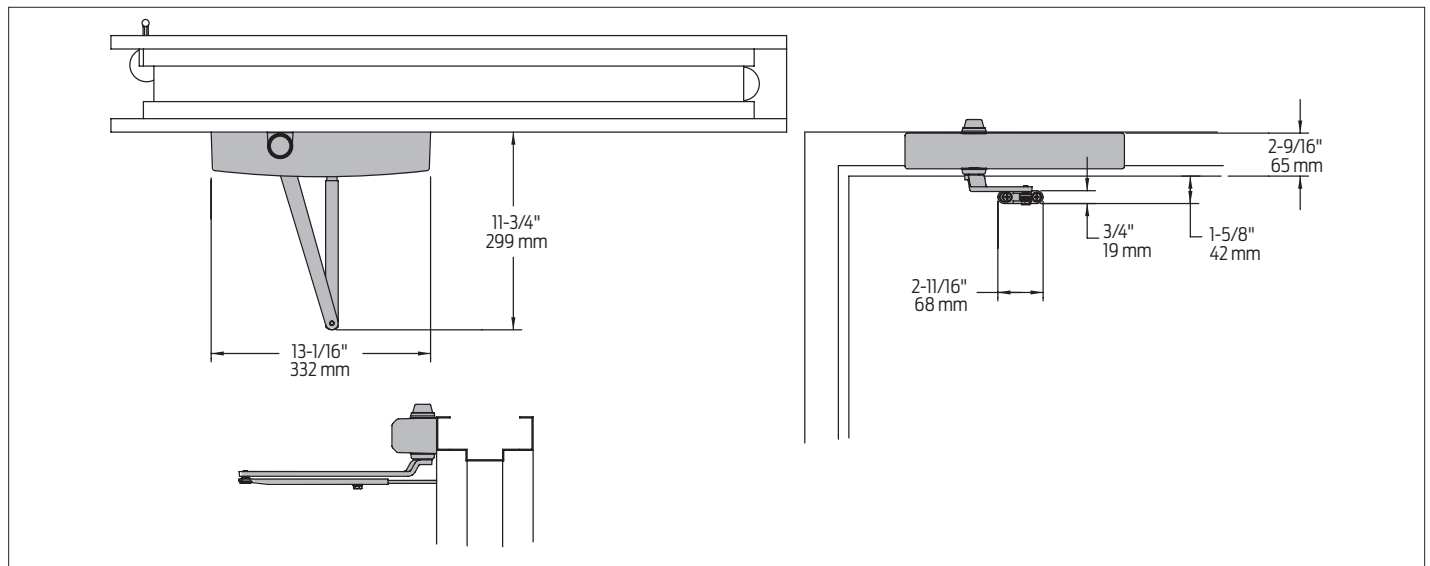
<sup>1</sup> Specify door thickness if other than 1-3/4"

## Dimensions and mounting

### Hinge (pull) side mounting

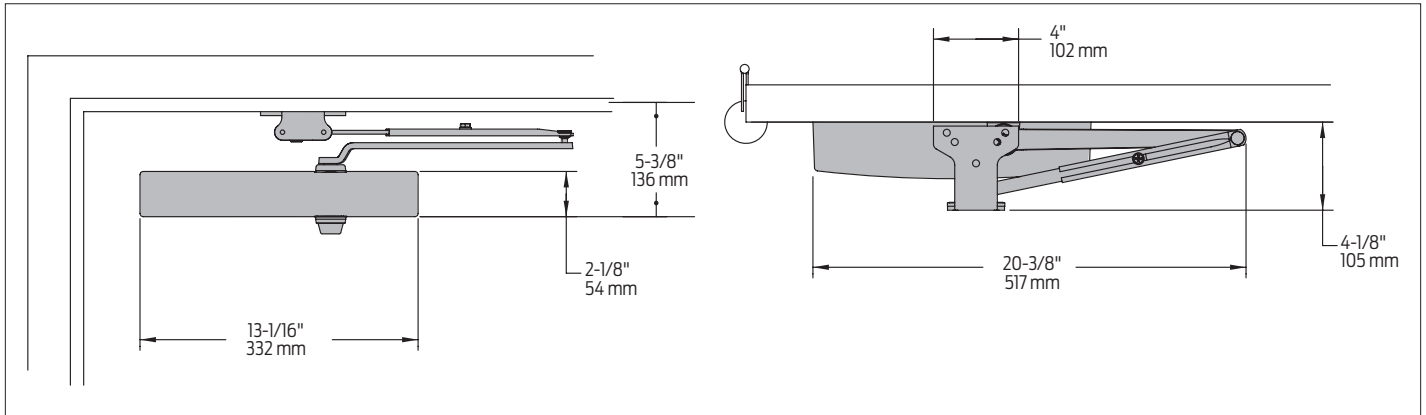


### Top jamb (push side) mounting

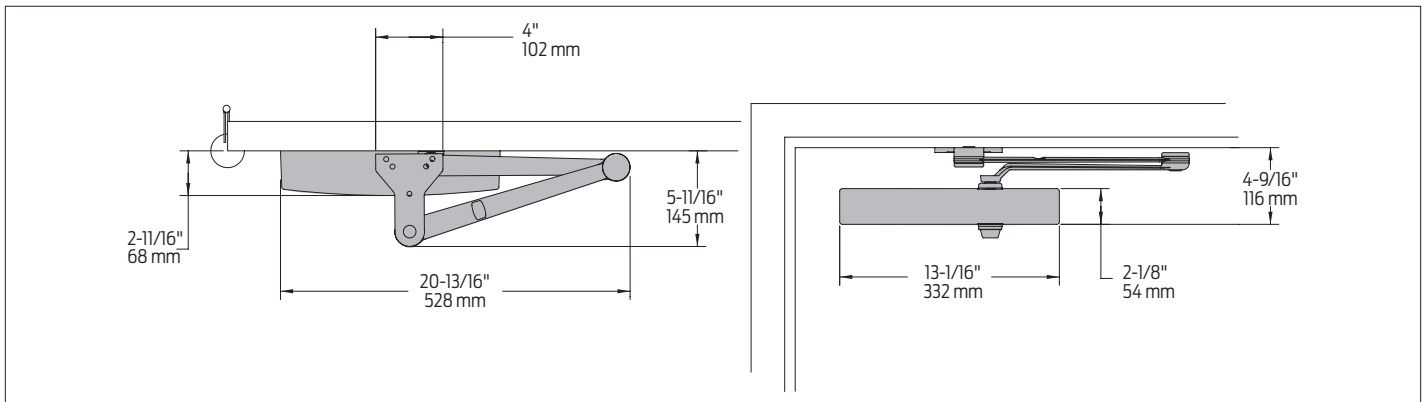


### Dimensions and mounting

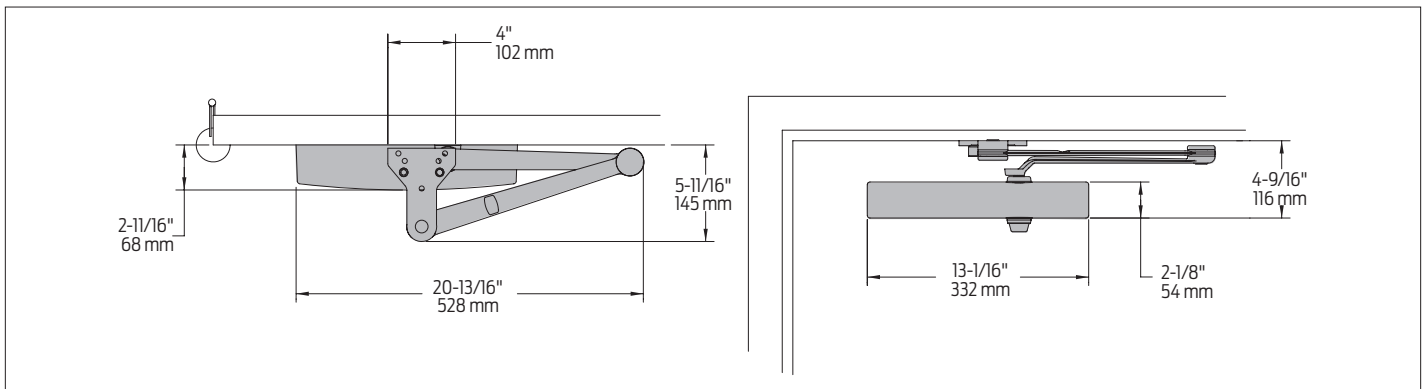
#### Parallel arm (push side) mounting



#### EDA/HEDA mount



#### CUSH/HCUSH/SCUSH /SHCUSH mount



## Specifications

Accessibility	Available with less than 5.0 lbs. opening force on 36" door
Certifications/ approvals	<ul style="list-style-type: none"> <li>■ Grade 1 - ANSI A156.4</li> <li>■ UL 10C</li> <li>■ Meets BAA - Buy American Act</li> </ul>
Degree of operation	<p>Hinge (pull) side</p> <p>Max opening: 180°</p> <p>Hold open: 180°</p> <p>Top jamb (push side) mount</p> <p>Max opening: 180°</p> <p>Hold open: 180°</p> <p>Parallel arm with 62PA</p> <p>Max opening: 180°</p> <p>Hold open: 180°</p> <p>EDA</p> <p>Max opening: 180°</p> <p>Hold open: 180°</p> <p>Cush</p> <p>Max opening: 110°</p> <p>Hold open: 110°</p>
Environmental conditions	<ul style="list-style-type: none"> <li>■ Approved for interior use</li> <li>■ Approved for exterior use (SRI coated only)</li> <li>■ LCN's standard all weather fluid performs to temperature ranges from 120°F (49°C) to -30°F (-35°C)</li> <li>■ LCN's powder coat finish surpasses 100 hours of salt spray which is over four times the ANSI standard for corrosion resistance.</li> </ul>
Warranty	25 years
Standard features	<ul style="list-style-type: none"> <li>■ Cast iron body</li> <li>■ Full complement bearing</li> <li>■ 1-1/4" diameter piston</li> <li>■ 5/8" diameter single heat treated pinion journal</li> </ul>