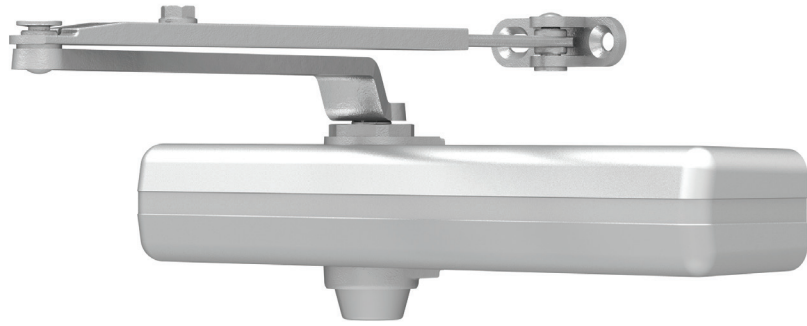


# 1460 Series



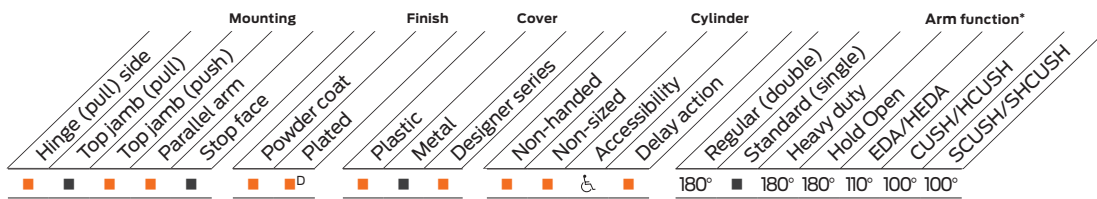
Designed for maximum versatility, the 1460, available with multiple cover options, can be used for both commercial and institutional applications. This fully universal closer offers a wide variety of options and fast and accurate installation.

## Features

<b>Certifications</b>	Grade 1 - ANSI A156.4, UL 10C, ADA, 100 hour salt spray, meets BAA - Buy American Act	<b>Cover</b>	<ul style="list-style-type: none"> <li>▪ Slim line plastic, standard</li> <li>▪ Full plastic and metal designer series, optional</li> </ul>
<b>Body construction</b>	<ul style="list-style-type: none"> <li>▪ Cast iron body</li> <li>▪ Full complement bearing</li> <li>▪ 1 1/4" diameter piston</li> <li>▪ 3/4" diameter single heat treated pinion journal</li> </ul>	<b>Fasteners</b>	Self reaming and tapping screws (SRT)
<b>Fluid</b>	All weather fluid	<b>Mounting</b>	Hinge (pull side), top jamb (push side), Parallel arm (push side)
<b>Handing</b>	Non-handed	<b>Arms</b>	Standard regular pull side, and top jamb
<b>Templating</b>	Peel-n-Stick templates - 1" x 7 1/2" mounting hole pattern	<b>Finishes/colors/ powder coat</b>	<ul style="list-style-type: none"> <li>▪ 689 Aluminum</li> <li>▪ 690 Statuary Bronze</li> <li>▪ 691 Light Bronze</li> <li>▪ 693 Black</li> <li>▪ 695 Dark Bronze</li> <li>▪ 696 Brass</li> <li>▪ Custom colors optional</li> </ul>
<b>Size</b>	Adjustable Spring Size 1-6 (Includes patented Green Dial)		<ul style="list-style-type: none"> <li>▪ Optional SRI primer - powder coat only</li> <li>▪ Optional plated finishes</li> </ul>
<b>Warranty</b>	30 years		

### Special templates

Customized installation templates or products may be available to solve non-standard applications. Contact LCN Product Support for assistance.

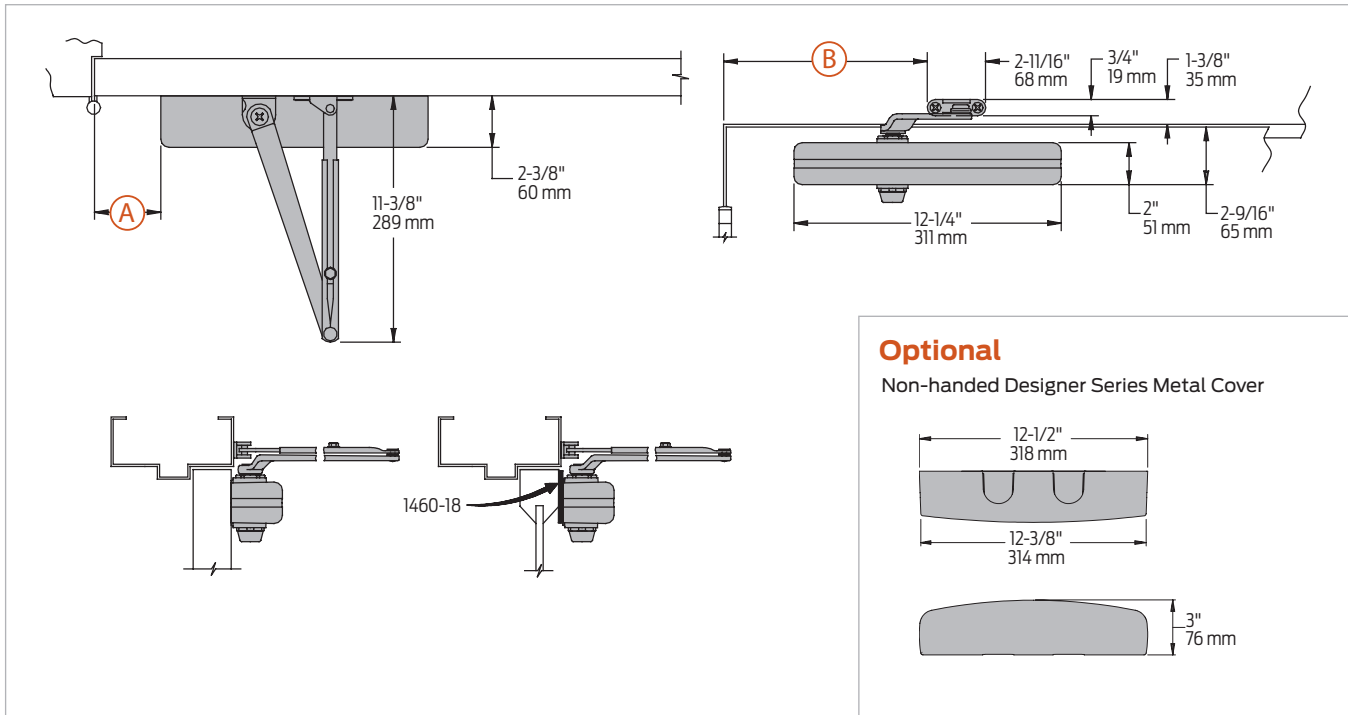


- Available
- Not available

♿ Closer available with less than 5.0 lbs. opening force on 36" door.  
 \* Maximum opening/hold open point with standard template.  
 D For designer series only

## Mounting details

### Hinge (pull side) mounting

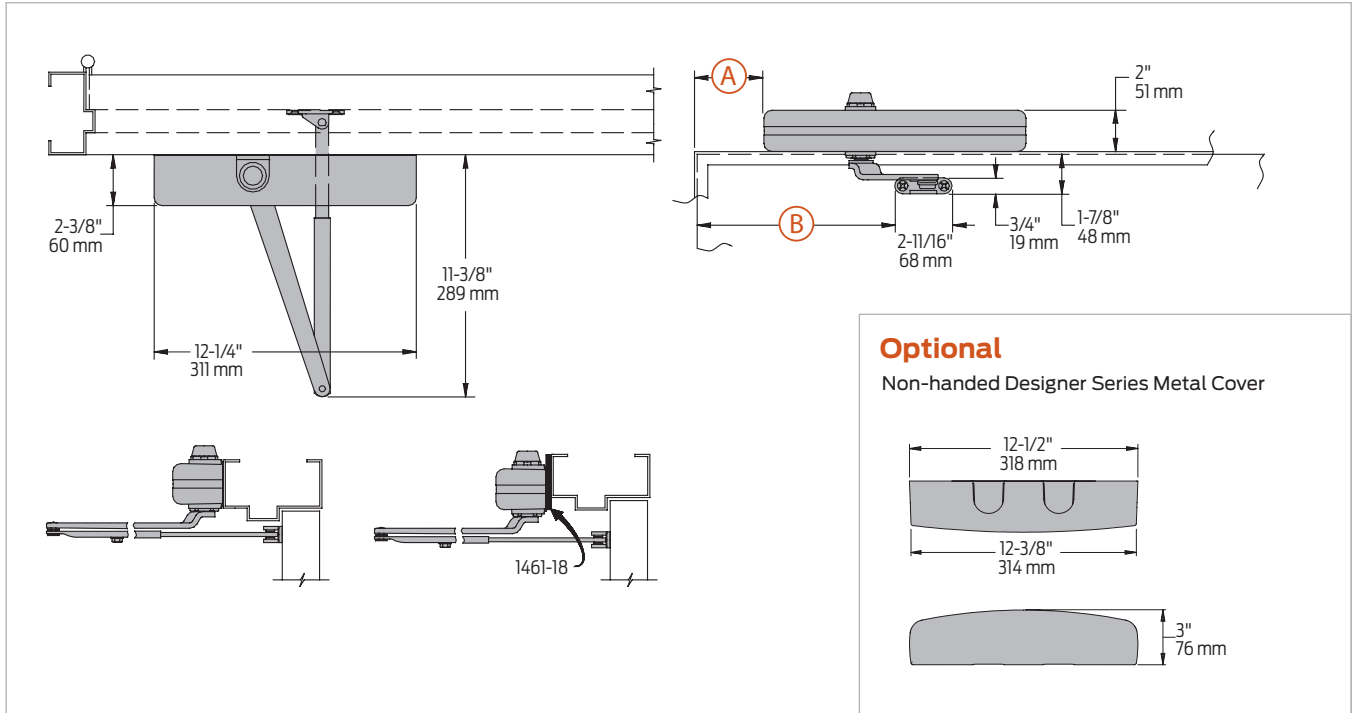


Butt hinges	Should not exceed 5" (127 mm) in width
Auxiliary stop	Recommended at hold open point or where a door cannot swing 180°
Reveal	Should not exceed 3/4" (19 mm) for regular arm or 1/2" (13 mm) for Hold Open Arm
Top rail	<ul style="list-style-type: none"> <li>Less than 2 1/2" (64 mm) requires plate, 1460-18</li> <li>With Full Plastic Cover, use plate, 1460-18FC. Plate requires 1 1/2" (38 mm) minimum</li> <li>With Designer Series Metal Cover, use plate, 1460-18DS1</li> </ul>
Clearance	2 3/8" (60 mm) behind door required for installation
Delay action	<ul style="list-style-type: none"> <li>Add suffix "CYLDEL" to selected cylinder</li> <li>Delays closing from:                             <ul style="list-style-type: none"> <li>110° to 65° (using 110° template)</li> <li>160° to 75° (using 180° template)</li> </ul> </li> <li>Delay time adjustable up to approximately 1 minute</li> </ul>
Maximum opening	110°:    A = 5 7/8" (149 mm) B = 10 7/8" (276 mm) <hr/> or *180° A = 2 7/8" (73 mm) B = 7 7/8" (200 mm)

Note: Hold open points up to maximum opening with Hold Open Arm.  
 \* Frame and trim permitting

# Mounting details

## Top jamb (push side) mounting



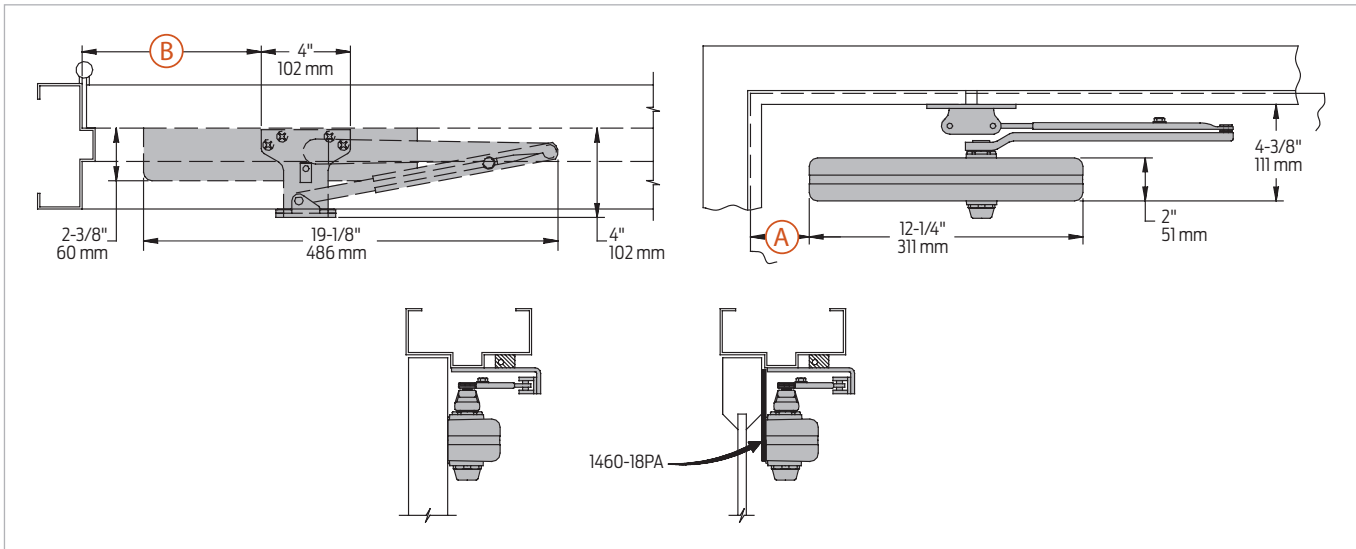
**Optional**  
Non-handed Designer Series Metal Cover

<b>Butt hinges</b>	Should not exceed 5" (127 mm) in width		
<b>Auxiliary stop</b>	Recommended at hold open point or where a door cannot swing 180°		
<b>Reveal</b>	Arm type	Reveal	Max opening
	Regular Arm	4 7/8"	Up to 140°
	Regular Arm	3 1/2"	Up to 180°
	Long Arm	7"	Up to 140°
	Hold Open Arm	2 1/2"	Up to 180°
	Hold Open Long Arm	4 7/8"	Up to 140°
<b>Top rail</b>	Requires 1 7/8" (48 mm) minimum. 2 3/4" (70 mm) minimum with closer on plate, 1460-18		
<b>Head frame</b>	Less than 1 3/4" (44 mm) requires plate, 1460-18. For flush ceiling condition with 2" (51 mm) head frame, use plate, 1460-18		
<b>Delay action</b>	<ul style="list-style-type: none"> <li>▪ Add suffix "CYLDEL" to selected cylinder</li> <li>▪ Delays closing:                             <ul style="list-style-type: none"> <li>- 110° to 75° (using 110° template)</li> <li>- 180° to 95° (using 180° template)</li> </ul> </li> <li>▪ Delay time adjustable up to approximately 1 minute.</li> </ul>		
<b>Maximum opening</b>	110°:	A = 6 3/4" (169 mm) B = 11 1/4" (286 mm)	
	101° to 120°:	A = 3" (76 mm) B = 7 1/2" (191 mm)	

Note: Hold open points up to maximum opening with Hold Open Arm.  
\* Frame and trim permitting

## Mounting details

### Parallel arm (push side) mounting

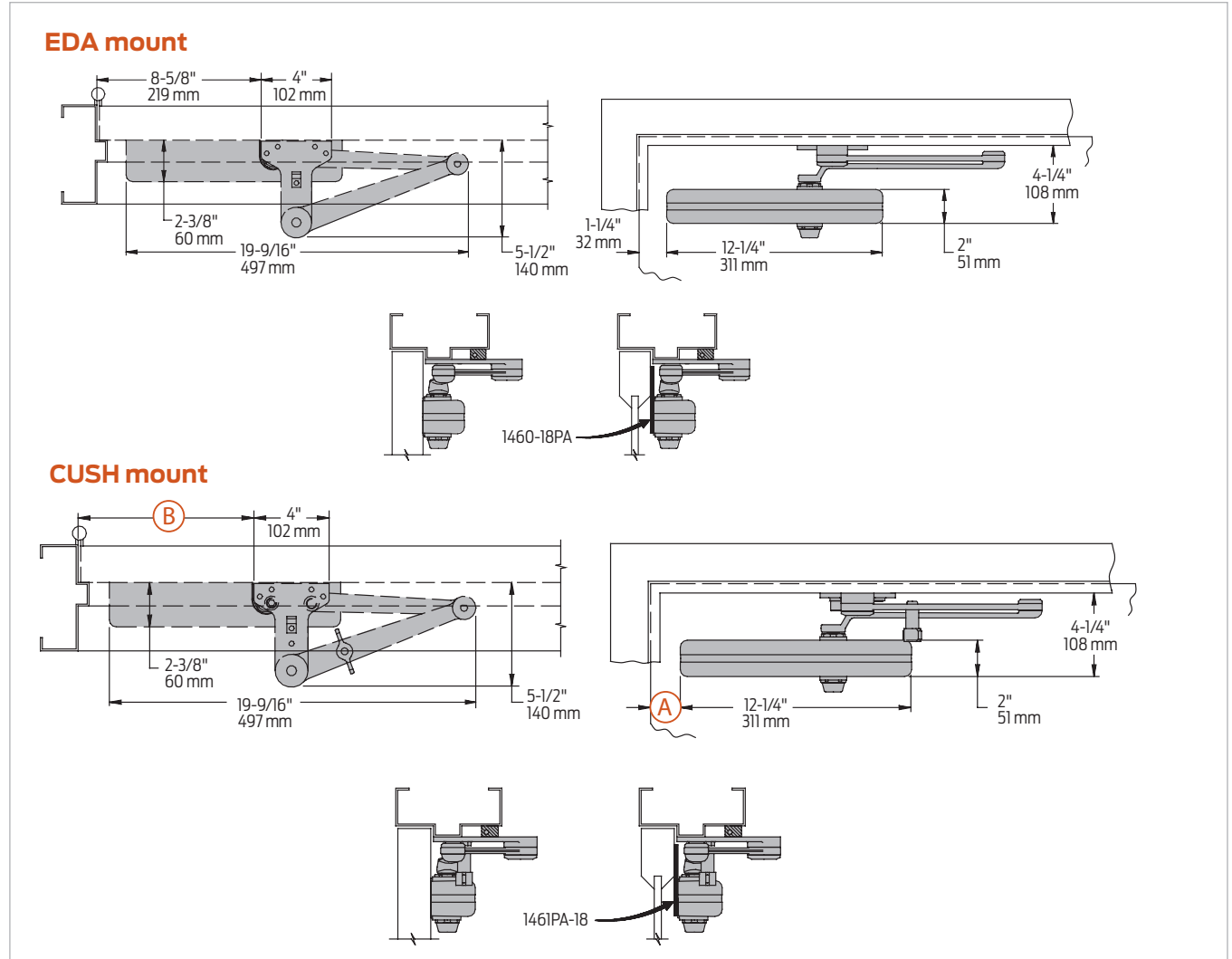


Butt hinges	Should not exceed 5" (127 mm) in width
Auxiliary stop	Recommended at hold open point, where a door cannot swing 180°, or where Cush-n-Stop Arm is not used
Top rail	<ul style="list-style-type: none"> <li>Less than 4 3/8" (111 mm) measured from the stop requires plate, 1460-18PA. With Full Cover, use plate, 1460-18PAFC</li> <li>Plate requires 1 3/4" (44 mm) minimum. Plate requires 1 1/4" (32 mm) minimum</li> <li>With Designer Series Metal Cover, use plate, 1460-18PADS1</li> </ul>
Clearance	1460-62PA shoe projects 4" (102 mm) from door face
Head frame	Flush or single rabbeted requires PA shoe adapter, 1460-419
Stop width	Minimum 1" (25 mm)
Blade stop	Clearance, requires 1/2" (13 mm) blade stop spacer, 1460-61
Auxiliary shoe	<ul style="list-style-type: none"> <li>1460-62A allows installation of regular arm with overhead holder/stop</li> <li>Special templating required</li> </ul>
Delay action	<ul style="list-style-type: none"> <li>Add suffix "CYLDEL" to selected cylinder</li> <li>Delays closing from maximum opening to approximately 75°</li> <li>Delay time adjustable up to approximately 1 minute</li> </ul>
Maximum opening	Regular or Hold Open Arm can be templated to 100°: A = 4 1/4" (108 mm) B = 9 1/4" (235 mm) or 180°: A = 1 3/4" (44 mm) B = 6 3/4" (171 mm)

Notes: Hold open points up to maximum opening with Hold Open Arm. Optional mounting requires PA shoe, 1460-62PA for Regular or Hold Open Arms. Add prefix "P" to closer description (e.g. P1460). P1460 closer includes 1460-201 fifth hole spacer to support PA shoe.

# Mounting details

## EDA and CUSH mounting



SCUSH	Hold open points are approximately 5° less than dead stop point	
Clearance	1460-62EDA or CUSH shoe projects 5 1/2" (140 mm) from door face	
Head frame	Flush or rabbeted requires PA flush panel adapter, 1460-419	
EDA or CUSH Arm	Requires shoe support, 1460-30 for fifth screw anchorage where reveal is less than 3 1/16" (78 mm)	
Maximum opening	EDA template allows 110°	CUSH arms can be templated for maximum opening/hold open point at
	Hold open point up to maximum opening	
		85°: A = 2 3/8" (60 mm) B = 9 9/16" (243 mm)
		90°: A = 1 5/8" (41 mm) B = 9 1/16" (230 mm)
	100°: A = 5/8" (16 mm) B = 8 1/16" (205 mm)	

Note: 1460 closers ordered with EDA, CUSH or SCUSH Arms include 1460-201 fifth hole spacer to support the shoe.

## 1460 Series

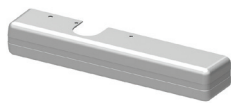
## Accessories

## Cylinders

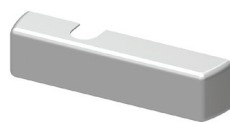

**1461-3071**  
**Cast iron cylinder assembly (CYL)**

- Non-handed
- Standard

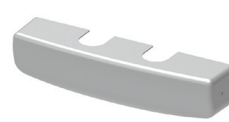
## Covers


**1460-72**  
**Slim line plastic cover (SLIMPC)**

- Non-handed
- Standard


**1460-72FC**  
**Full Plastic Cover (FPC)**

- Non-handed
- Optional


**1460-72DS**  
**Designer Series Metal Cover (DS)**

- Non-handed
- Provides complete enclosure with a stylish look
- Required for plating and custom powder coat option
- Optional

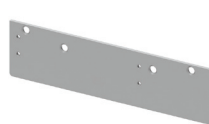
## Installation accessories


**1460-18**  
**Plate**

- Required for hinge side mount where top rail is less than 2 1/2" (64 mm)
- Required for top jamb mounting where head frame is less than 1 3/4" (44 mm) or flush ceiling condition exists
- Requires 1 1/2" (38 mm) minimum top rail or 1 1/4" (32 mm) head frame


**1460-18DS1**  
**Plate**

- Required for hinge side mount where top rail is less than 2 1/2" (64 mm)
- Requires 1 1/2" (38 mm) minimum top rail or 1 1/4" (32 mm) head frame
- For use with Designer Series Metal Cover
- Will not work in top jamb application


**1460-18FC**  
**Plate**

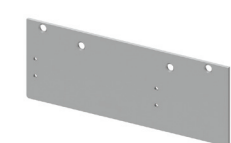
- Required for hinge side mount where top rail is less than 2 1/2" (64 mm)
- Requires minimum 1 1/2" (38 mm) minimum top rail or 1 1/4" (32 mm) head frame
- For use with full cover
- Will not work in top jamb application


**1460-18PA**  
**Plate**

- Required for parallel arm mounting where top rail is less than 4 3/8" (111 mm), measured from the stop
- Requires 1 3/4" (44 mm) minimum top rail


**1460-18PADS1**  
**Plate**

- Required for parallel arm mounting where top rail is less than 4 3/8" (111 mm), measured from the stop
- Requires 1 3/4" (44 mm) minimum top rail
- For use with Designer Series Metal Cover


**1460-18PAFC**  
**Plate**

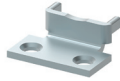
- Required for parallel arm mounting where top rail is less than 4 3/8" (111 mm), measured from the stop
- Requires 1 3/4" (44 mm) minimum top rail
- For use with full cover

## Accessories

### Installation accessories



- 1460-30**  
**Cush shoe support**
- Provide anchorage for fifth screw used with CUSH arm where reveal is less than 3 1/16" (78 mm)



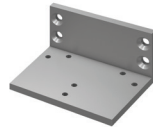
- 1460-30A**  
**Mounting bracket**
- Bracket to be used when installing cylinder body
  - Included with cylinder when ordered



- 1460-61**  
**Blade stop spacer**
- Lowers parallel arm shoe to clear 1/2" (13 mm) blade stop



- 1460-62A**  
**Auxiliary shoe**
- Requires a top rail of 7" (178 mm)
  - Optional shoe replaces -62PA for parallel arm mounting of regular arm with overhead holder/stop



- 1460-419**  
**PA flush panel adapter**
- Provides horizontal mounting surface for PA, EDA, or CUSH shoe on single rabbeted or flush frame



- 1460-62PA**  
**PA shoe**
- Required for parallel arm mounting

### Arms



- 1460-3077**  
**Regular Arm (REGARM)**
- Non-handed
  - Mounts hinge side or top jamb
  - P1460 closer includes PA shoe, 1460-62PA required for parallel arm mounting



- 1460-3077L**  
**Long Arm (LONG)**
- Non-handed
  - Includes long rod and shoe, 1460-79LR for top jamb mount with deep reveals
  - Optional



- 1460-3077HD**  
**Heavy Duty Arm (HD)**
- Non-handed
  - Mounts hinge side, top jamb or parallel arm
  - Optional



- 1460-3077HDL**  
**Heavy Duty Long Arm (HDLONG)**
- Non-handed
  - Includes long rod and shoe, 1460-79LR for top jamb mounts with deep reveals
  - Optional

## 1460 Series

## Accessories

## Arms

**1460-3049****Hold Open Arm (H)**

- Non-handed
- Mounts hinge side, top jamb or parallel arm (62PA required)
- Hold-open adjustable at shoe
- Optional

**1460-3049L****Hold Open Long Arm (HLONG)**

- Non-handed
- Includes long head and tube, 1460-3048L for top jamb mount with deep reveals
- Optional

**1460-3077EDA****Extra Duty Arm (EDA)**

- Non-handed
- Features solid forged steel main and forearm for potentially abusive installations
- Optional 1460-3077EDA/62G for blade stop clearance

**1460-3077EDA/62G****Extra Duty Arm with 62G Thick Hub Shoe (EDAW62G)**

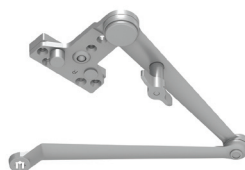
- Non-handed
- Features solid forged steel main and forearm for potentially abusive installations

**1460-3049EDA****Hold Open Extra Duty Arm (HEDA)**

- Handed
- Provides hold open function adjustable at shoe
- Optional

**1460-3077CNS****Cush-n-Stop Arm (CUSH)**

- Non-handed
- Features solid forged steel main arm and forearm with stop in soffit shoe
- Optional

**1460-3049CNS****Hold Cush-n-Stop Arm (HCUSH)**

- Non-handed
- Provides hold open function with templated stop/hold open points
- Handle controls hold open function
- Optional

**1460-3077SCNS****Spring Cush-n-Stop Arm (SCUSH)**

- Non-handed
- For abusive applications features solid forged steel main arm and forearm with spring loaded stop in the soffit shoe
- Optional

**1460-3049SHCNS****Spring Hold Open Cush-n-Stop Arm (SHCUSH)**

- Non-handed
- For abusive applications features solid forged steel main arm and forearm with spring loaded stop in the soffit shoe
- Handle controls hold open function
- Optional



## Ordering information

### How-to-order 1460 Series closers

#### 1. Select finish

- Standard powder coat \_\_\_\_\_  
Aluminum (689), Dark Bronze (695), Statuary Bronze (690), Light Bronze (691), Black (693), Brass (696).

#### Closer options

##### Cylinder

- Delay Action Cylinder (CYLDEL)

##### Cover

- Full Plastic Cover (FPC)
- Designer Series Metal Cover (DS)

##### Finish

- Custom powder coat (RAL) \_\_\_\_\_  
(DS cover required)
- Plated finish, \_\_\_\_\_  
(DS cover required)
- SRI primer  
(use with powder coat finishes only)

##### Arm

- Regular Arm with Parallel Arm Bracket (RWPA)
- Long Arm (LONG)
- Regular Arm with 62A Auxiliary Shoe (RW62A)
- Hold Open Arm (H)
- Hold Open with Parallel Arm Bracket (HWP)

- Hold Open Long Arm (HLONG)
- Heavy Duty Arm (HD)
- Heavy Duty with 62A Auxiliary Shoe (HD62A)
- Heavy Duty with Parallel Arm Bracket (HDPA)
- Heavy Duty Long Arm (HDLONG)
- Extra Duty Arm (EDA) (optional -62G)
- Hold Open Extra Duty (HEDA)
- (specify handing), (optional -62G)
- Cush-n-Stop Arm (CUSH)
- Hold Open Cush-n-Stop Arm (HCUSH)
- Spring Cush-n-Stop Arm (SCUSH)
- Spring Hold Open Cush-n-Stop Arm (SHCUSH)

##### Optional screw packs

- Through Bolt<sup>1</sup> Self Reaming and Tapping Screws (TBSRT)
- Wood and Machine Screws (WMS)
- Through Bolt<sup>1</sup> Wood and Machine Screws (TBWMS)

### Closer will be shipped with:

- Standard cylinder
- Standard cover
- Regular arm
- Self reaming and tapping screws  
(unless options listed below are selected)

- Torx Machine Screws (TORX)
- Through Bolt<sup>1</sup> and Torx Machine Screws (TBTRX)

### Installation accessories

- Plate, 1460-18
- Plate, 1460-18DS
- Plate, 1460-18FC
- Plate, 1460-18PA
- Plate, 1460-18PADS
- Plate, 1460-18PAFC
- CUSH Shoe Support, 1460-30
- Blade Stop Spacer, 1460-61
- Auxiliary Shoe, 1460-62A
- PA Flush Panel Adapter, 1460-419

### Special template

- ST- \_\_\_\_\_

1. Specify door thickness if other than 1 3/4".

### Table of sizes

- Select closer based on width of door
- The spring power of a 1461 cylinder is field adjustable from size 1 through size 6 and is shipped adjusted to size 3

#### Exterior (and vestibule) door width

24"	30"	36"	42"	48"
610mm	762mm	914mm	1067mm	1219mm



#### Interior door width

24"	34"	38"	48"	54"	60"
610mm	864mm	965mm	1219mm	1372mm	1524mm




➔ Indicates recommended range of door width for closer size.  
\* Adjustable Size 1 thru 5.

### Reduced opening force 1460 Series closers

**CAUTION!** Any manual door closer, including those certified by BHMA to conform to ANSI Standard A156.4, that is selected, installed and adjusted based on ADA or other reduced opening force requirements may not provide sufficient power to reliably close and latch a door.

Refer to Automatic Operators catalog for information on systems that meet reduced opening force requirements without effecting closing power.

	Door width	36"	42"	48"
	8.5* lbs.	1461	1461	1461
5.0* lbs.	1461	1461	1461	

\* Maximum opening force.