

# 5030 Series



The concealed 5030 Series PACER® is a heavy duty closer designed to fit in a narrow, minimum 1 3/4" aluminum transom. The double lever arm provides superior door control and the choice of finishes and arm functions meet virtually all architectural requirements.

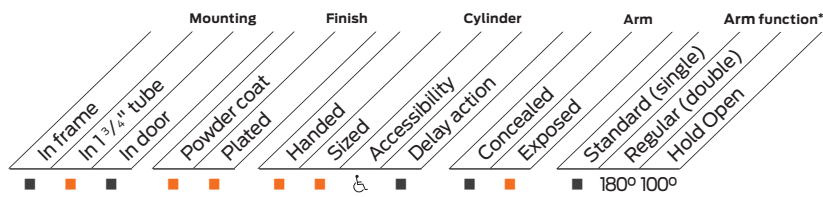
## Features

<b>Certifications</b>	Grade 1 - ANSI A156.4, UL 10C, ADA, 100 hour salt spray, meets BAA - Buy American Act
<b>Body construction</b>	<ul style="list-style-type: none"> <li>Cast iron body</li> <li>Full complement bearing</li> <li>1 1/8" diameter piston</li> <li>11/16" diameter double heat treated pinion journal</li> </ul>
<b>Fluid</b>	All weather fluid
<b>Handing</b>	Handed
<b>Size</b>	Sized 1, 3, 4, 5, 6
<b>Warranty</b>	15 years

<b>Fasteners</b>	Wood Screws and Torx Security Screws (optional)
<b>Mounting</b>	Concealed (in tube); aluminum frame requires minimum 1 3/4" (44 mm) x 4 1/2" (114 mm) tube
<b>Arms</b>	Regular arm
<b>Finishes/colors/ powder coat</b>	<ul style="list-style-type: none"> <li>622 Matte Black</li> <li>689 Aluminum</li> <li>690 Statuary Bronze</li> <li>691 Light Bronze</li> <li>693 Gloss Black</li> <li>695 Dark Bronze</li> <li>696 Brass</li> <li>Custom colors optional</li> </ul> <ul style="list-style-type: none"> <li>Optional SRI primer - powder coat only</li> <li>Optional plated finishes</li> </ul>

### Special templates

Customized installation templates or products may be available to solve non-standard applications. Contact LCN Product Support for assistance.



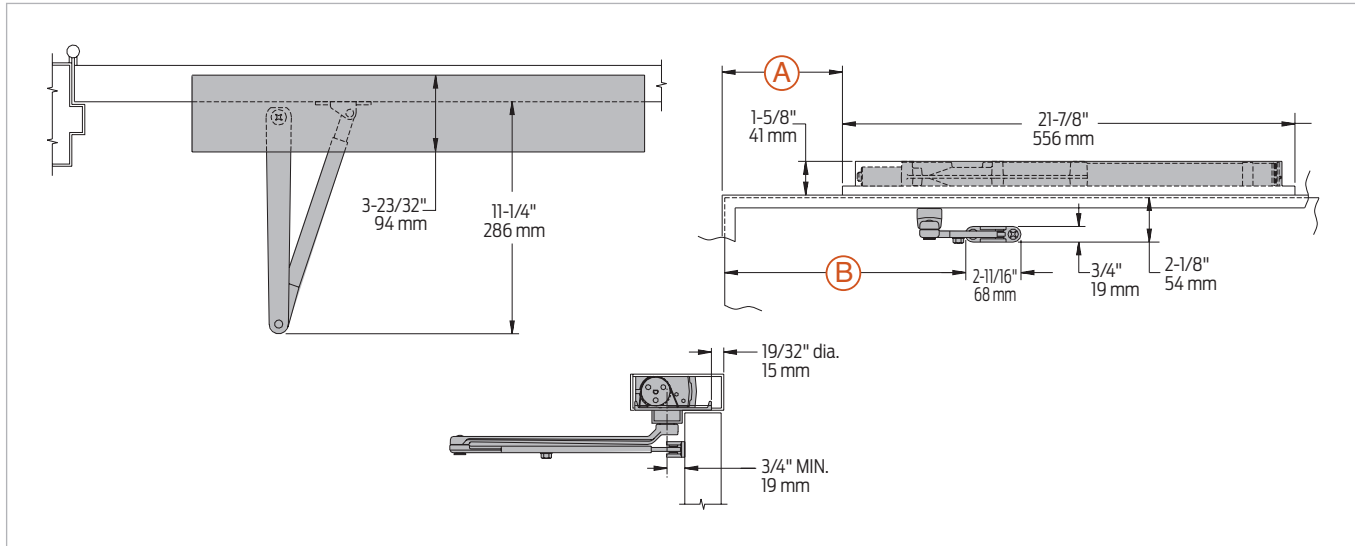
■ Available  
■ Not available

Closer available with less than 5.0 lbs. opening force on 36" door.

\* Maximum opening/hold open point with standard template. See individual closer series for degrees of opening per installation.

## Mounting details

### Concealed mounting



Butt hinges	Should not exceed 6" (152 mm) in width
Auxiliary stop	Recommended at hold open point or where the door cannot swing 180°
Top rail	Minimum 2 1/8" (54 mm) required
Door thickness	Maximum 1 3/4" (44 mm), for doors thicker than 1 3/4" consult factory
Wood frame	<ul style="list-style-type: none"> <li>Installation simplified by wood mounting clip set 5030-416 for center pivoted or 5030-417 for offset pivoted and butt hung installations</li> <li>Consult factory for preparation details</li> </ul>
Maximum opening	<p>Butt hung doors can be templated for:</p> <p>100°:      A = 5 13/16" (148 mm)               B = 11 13/16" (300 mm)</p> <p>180°:      A = 2 1/16" (52 mm)               B = 8 1/16" (205 mm) trim permitting</p> <ul style="list-style-type: none"> <li>Hold open points up to 100° only with Hold Open Arm (H)</li> <li>Center pivot mounting restricts opening to 120°. Hold open up to 120° with Hold Open Arm (H)</li> <li>Offset pivot mounting allows up to 115°, trim permitting. Hold open up to 115° with Hold Open Arm (H)</li> </ul>

Notes:

- For interior or exterior doors
- Single acting cylinder in head frame
- Exposed arm on push side of door

## 5030 Series

# Accessories

### Cylinders



#### 5011(2)(3)(4)(5)(6)-3071 Cast iron cylinder assembly with mounting plate (CYL)

- Handed
- With mounting plate
- Standard

### Arms



#### 5010-3077 Regular Arm (REGARM)

- Non-handed

#### 5030-3049 Hold Open Arm (H)

- Handed
- Provides hold open function for 100° template, adjustment at elbow
- Optional

### Installation accessories



#### 5030-416 Wood Mounting Clip Set

- Simplifies mounting center pivoted 5030 closer in wood frame
- Includes latch stile clip, hinge stile clip and cover
- For use with Ives center pivots
- Consult factory for special template



#### 5030-417 Wood Mounting Clip Set

- Simplifies mounting offset pivoted or butt hung 5030 closer in wood frame
- Includes two clips
- For use with offset pivots
- Consult factory for special template

## Ordering information

### How-to-order 5030 Series closers

**1. Select cylinder size**

- 5031
- 5033
- 5034
- 5035
- 5036

**2. Specify hand**

- Right Hand (RH)
- Left Hand (LH)

**3. Select finish**

- Standard powder coat \_\_\_\_\_  
Matte Black (622), Aluminum (689), Dark Bronze (695), Statuary Bronze (690), Light Bronze (691), Gloss Black (693), or Brass (696)

**Closer will be shipped with:**

- Standard cylinder with mounting plate
- Regular arm
- Wood and machine screws  
(unless options listed below are selected)

### Closer options

**Arm**

- Hold Open Arm (H)

**Finish**

- Custom powder coat (RAL) \_\_\_\_\_
- Plated finish \_\_\_\_\_
- SRI primer (use with powder coat finishes only)

**Screw pack**

- Torx Machine Screws (TORX)

**Installation accessories**

- Wood clip set, 5030-416
- Wood clip set, 5030-417

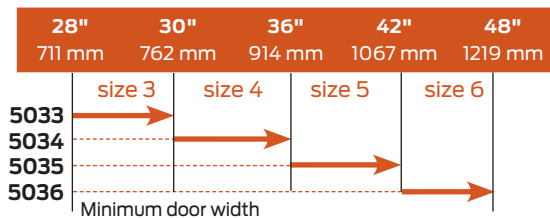
**Special template**

- ST- \_\_\_\_\_

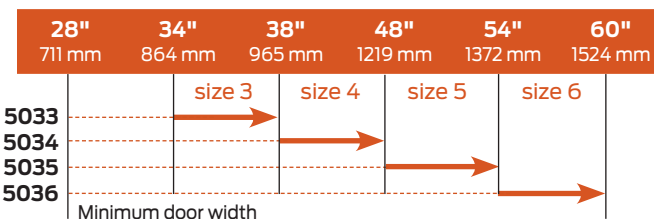
### Table of sizes

- Select closer based on width of door
- 5030 Series cylinders available in size 1, 2, 3, 4, 5 or 6
- Closing power of all 5030 Series closers may be increased 50%
- Specify next higher size closer where strong drafts exist

**Exterior (and vestibule) door width**



**Interior door width**




→ Indicates recommended range of door width for closer size.

**Reduced opening force 5030 Series closers**

**CAUTION!** Any manual door closer, including those certified by BHMA to conform to ANSI Standard A156.4, that is selected, installed and adjusted based on ADA or other reduced opening force requirements may not provide sufficient power to reliably close and latch a door.

Refer to Automatic Operators catalog for information on systems that meet reduced opening force requirements without effecting closing power.

	Door width	36"	42"	48"
	8.5* lbs.	5033	5033	5033
	5.0* lbs.	5031	5031	5033

\* Maximum opening force.